



LAST
40,000HRS



2 YEAR
WARRANTY



PRODUCT SPECIFICATION

PRODUCT NAME: LED DOWNLIGHT

PRODUCT MODEL: UP – CL43 (1*7W)



LED DOWNLIGHT

ø90*60mm 1*7W 420 lm

AC110/220V 36/60deg.beam.

Dimming range 0~100% no flicker.

80% lumen maintenance at 40000 hours.

2 years warranty under the normal working time



LAST 40,000HRS



2 YEAR WARRANTY



CL43

Technical Details



Warm 3000K



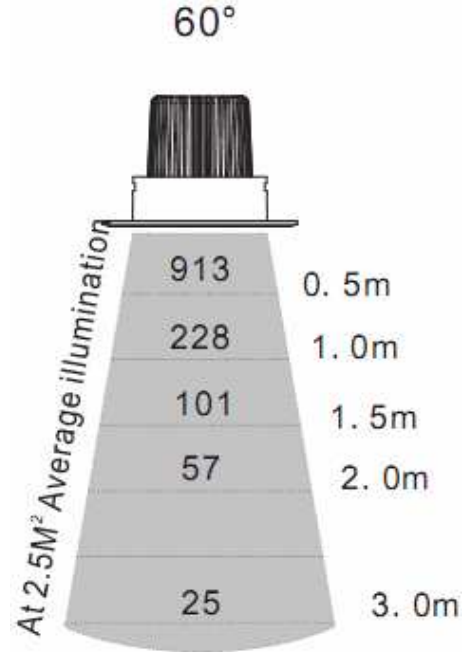
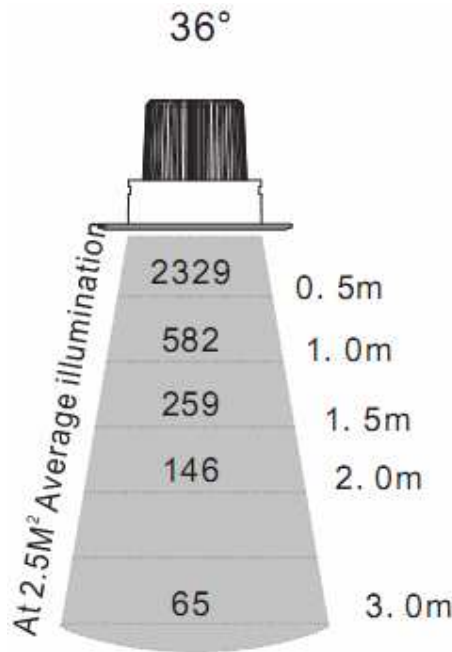
AC110/220V



1*7W



382 lm



CL43

Technical Details



Cool 5500K



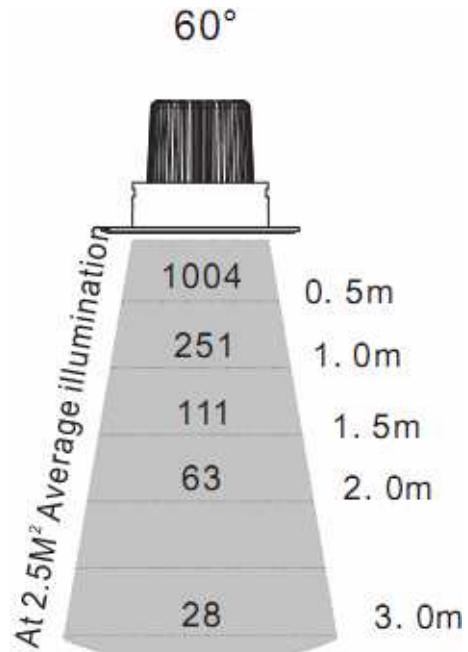
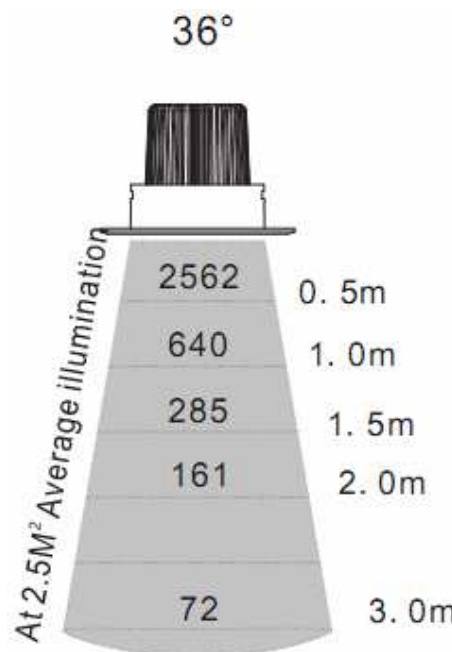
AC110/220V



1*7W



420 lm





LAST
40,000HRS



2 YEAR
WARRANTY



LED down light features

COB LED

1pcs 7W Sharp COB LED chip ,high lumen output .

White finishing surface is available .

Built-in reflector and frosted glass

Built-in reflector, good uniformity of luminance
Clear glass : anti-dust ,anti-fog ,anti-glare ,
Similar light emitting to Halogen downlight .

Same cut out size as halogen downlight

Light size : Ø90*60mm
Hole size :cutout 70-80mm

External driver

Safe version isolating driver
Stable performance ,high quality IC in the driver
Long life span
CE,ROHS,SAA approved .

Perfect beam angle 36° /60°

Dimmable is available :

All triac dimmers are useful ,fox example
Clipsal leading edge dimmer ,full dimming
range,no flicker.

UV and Mercury free

Unlike halogen bulb,LED spotlight is free from
UV light and Mercury . It is more safe for
ourselves and environment

AL6063 light housing

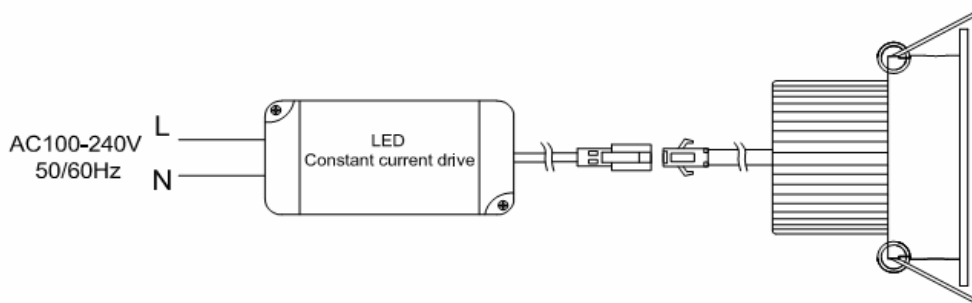
Good heat dissipation
Anode silver grey heat sink



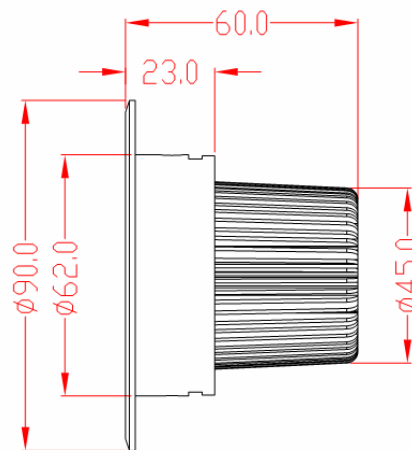
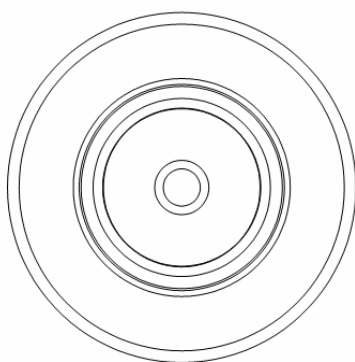


CL43 Fully Preassembled

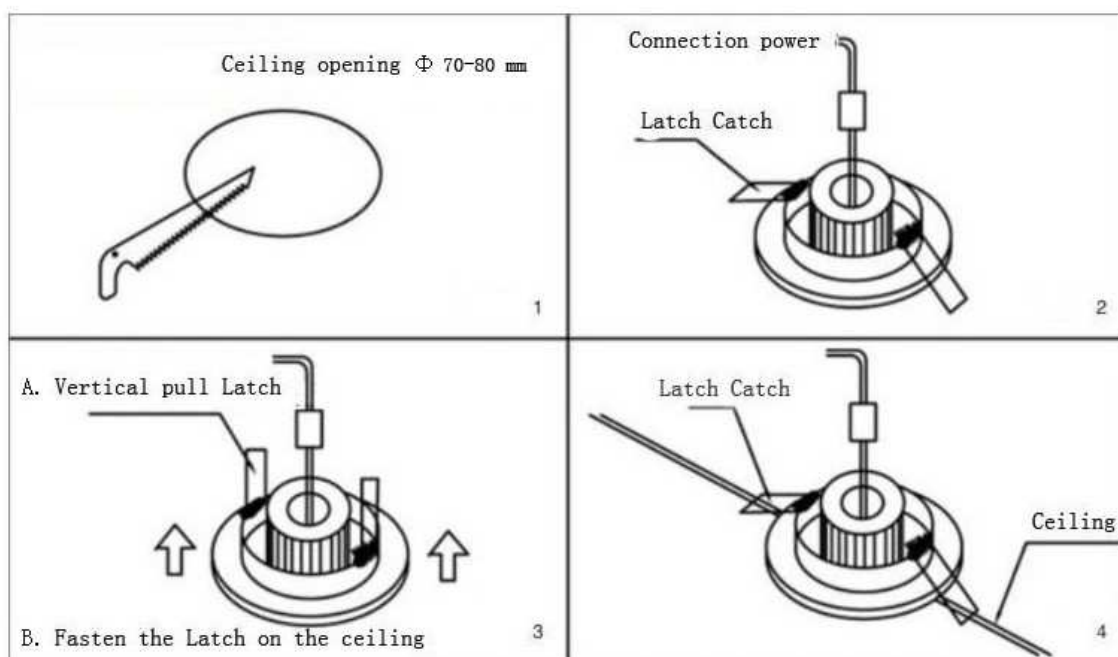
TO REDUCE INSTALL TIME CL43 COME FULLY PREASSEMBLED AS SHOWN IN THE DIAGRAM BELOW



Product Dimension: (Unit: mm)



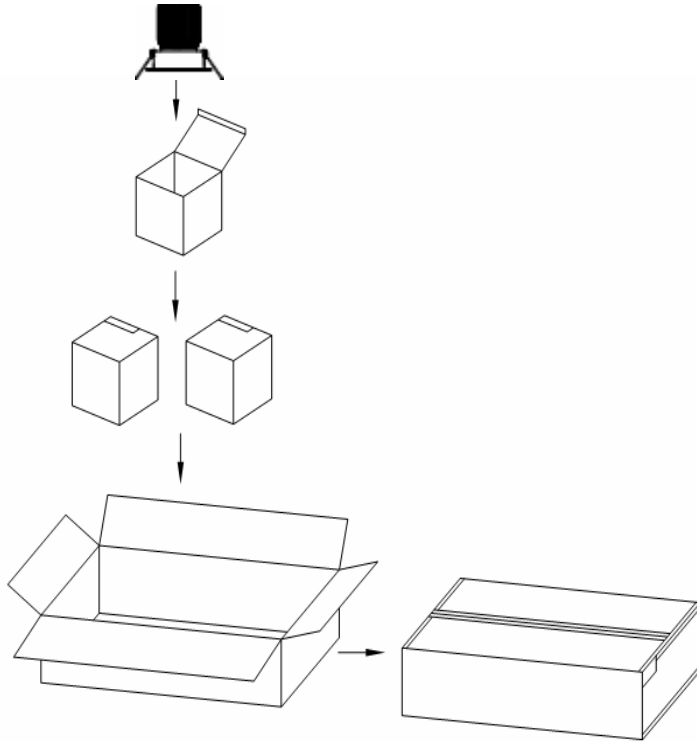
Installation Diagram:





Packing:

Box dimension: 102mm(L) x102mm(W) x120mm(H)



Packing Notice

- 1:Qty/ctn:24pcs
- 2:Gross Weight: 9.8Kg
- 3:Size of carton:
445x335x265mm
- 4: Handle with care

***** END *****



UP-SHINE LIGHTING CO.,LTD.

Tel: +86-0755-29197332

Fax:+86-0755-29197301

Web: www.upshineled.com

Add: 7th floor C1 building Guang Hao Feng Industrial Park Xi xiang town, Baoan District Shenzhen City, P.R China.

APPROVED BY:

