

The remote control ID learning guide: Press ON/OFF button on the controller, and press any of the button on the remote, when the light flashes, the ID is set.

The eight keys on the remote controller are correspond to the keys on the RGB controller

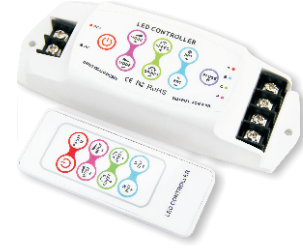
Sign	Button	Description
	ON/OFF	ON/OFF: Turn on/off the controller Any button can start the controller at off status
	PAUSE	Pause: Press this button will pause at current color, press it again, will continue to change. Pressing over 3 seconds will turn on/off the buzzer.
	MODE+ MODE-	Mode+/Mode-: Press this button to select next or previous mode. Pressing over 3 seconds will enter the cycle mode.
	SPEED+ SPEED-	Speed+/Speed-: Press this button to select 1-8 speed changing levels. Press this button over 3 seconds, if LED flickers twice, it means it has restored to Default speed of each mode successfully.
	BRT+ BRT-	Brightness: Press this button to select 1-8 brightness adjustment levels. Press this button over 3 seconds, if LED flickers twice, it means it has restored to Default full brightness of each mode successfully.

2. Tables of changing modes

Sequence	Model	Sequ19	Model
1	Static red	19	Cyan fading
2	Static green	20	White fading
3	Static blue	21	RGB fading
4	Static yellow	22	Red green smooth
5	Static purple	23	Red blue smooth
6	Static cyan	24	Green blue smooth
7	Static white	25	Red yellow smooth
8	3 color skipping	26	Green cyan smooth
9	7 color skipping	27	Blue purple smooth
10	White strobe	28	Red purple smooth
11	RGB strobe	29	Green yellow smooth
12	7 color strobe	30	Blue cyan smooth
13	White speed-up strobe	31	Red white smooth
14	Red fading	32	Green white smooth
15	Green fading	33	Blue white smooth
16	Blue fading	34	Yellow purple cyan smooth
17	Yellow fading	35	Full color smooth
18	Purple fading	36	Cycle mode

4

Multi-function RGB Controller User Manual



(Please read through this manual carefully before use)

1. Brief Introduction

LED controller is a universal RGB controller for entire color changing, which adopted high-performance single-chip and the most advanced PWM (Pulse-Width-Modulation) controlling technology. It can control all 4-pin 3-loop LED RGB full color lights such as LED module, LED strip, LED SMD tape, and high power LED projector, wall-washer, flood light, underwater lamp etc. Adopt Flame retardant PC ABS casing, touch function button and exquisite appearance.

2. Specifications

Model	No RF remote	With RF remote
Input Voltage	DC5V-DC24V	DC12V-DC24V
Max Current Load	8A/CH×3	8A/CH×3
Max Output Power	120W(5V)/290W(12V)/580W(24V)	290W(12V)/580W(24V)
Scale Levels	4096 LEVEL /CH×3	4096 LEVEL /CH×3
Working Temperature	-30℃-55℃	-30℃-55℃
Product Dimension	L165xW56xH36(mm)	L165xW56xH36(mm)
Package Dimension	L180xW65xH53(mm)	L180xW65xH53(mm)
Weight (G.W)	170g	210g
Remote Control Distance	No	30m with block; 60m without block
Control Type	Common anode	Common anode

1

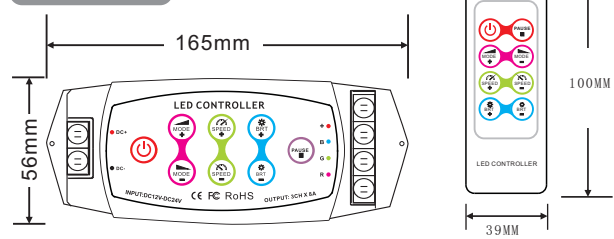
3. Basic Features

1. Automatically adapt to LED light which works from DC5V-24V or DC12V-24V.
2. 4096 levels of grey scale per RGB even & smooth for color gradual changes, without any flashes.
3. 36 fantastic modes such as color smooth, color skipping, horse race, strobe, etc.
4. Can choose a changing speed and brightness in a certain mode independently.
5. Can stop at static single color, speed & brightness adjustable at pause status.
6. Working with power repeater to expand power output unlimitedly.
7. Power loss memory function.

4. Safety warnings

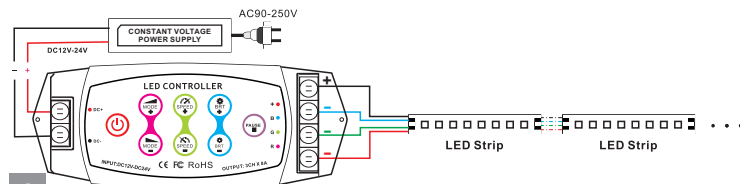
- Please don't install this controller in lightning, intense magnetic and high-voltage fields.
1. To reduce the risk of component damage and fire caused by short circuit, make sure correct connection.
 2. Always be sure to mount this unit in an area that will allow proper ventilation to ensure a fitting temperature.
 3. Check if the voltage and power adapter suit the controller.
 4. Don't connect cables with power on; make sure a correct connection and no short circuit checked with instrument before power on.
 5. Please don't open controller cover and operate if problems occur.
- The manual is only suitable for this model; any update is subject to change without prior notice.

5. Dimensions



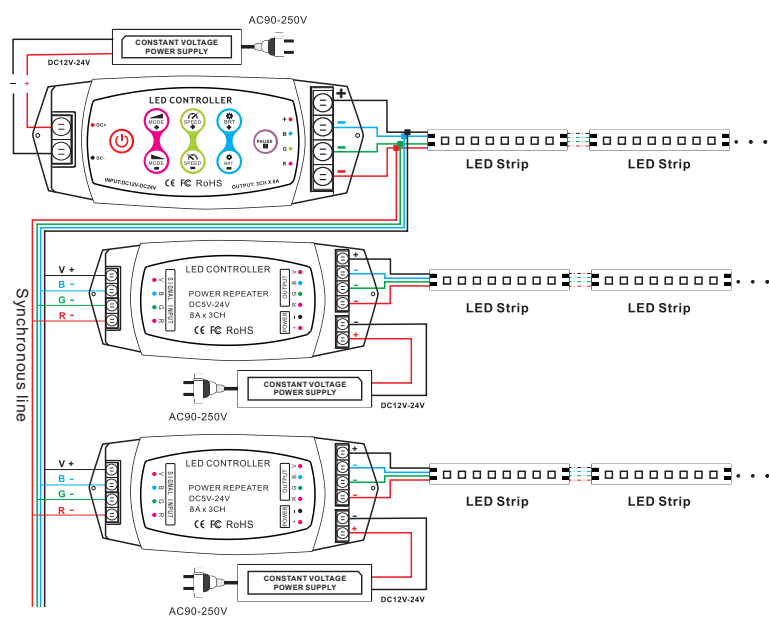
6. Conjunction Diagram

- 1) Connected to LED strip as an example



2

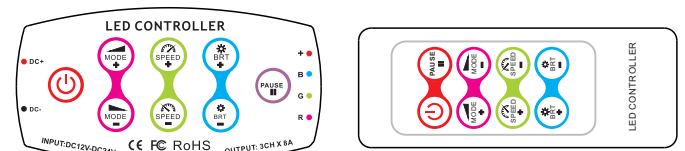
- 2) Connect to power repeater (the controller and the amplifier can share the same power supply)



7. Operating instructions

- 1) On the controller, there are 8 function keys:

ON/OFF, PAUSE, MODE+, MODE-, SPEED+, SPEED-, BRT+ BRT-



3

8. After-Sales

From the day you purchase our products within 3 years, if being used properly in accordance with the instruction, and quality problems occur, we provide free repair or replacement services except the following cases:

1. Any defects caused by wrong operations.
2. Any damages caused by inappropriate power supply or abnormal voltage.
3. Any damages caused by unauthorized removal, maintenance, modifying circuit, incorrect connections and replacing chips.
4. Any damages due to transportation, breaking, flooded water after the purchase.
5. Any damages caused by earthquake, fire, flood, lightning strike etc force majeure of natural disasters.
6. Any damages caused by negligence, inappropriate storing at high temperature and humidity environment or near harmful chemicals.
7. Product has been updated.

9. Kindly Reminder

1. Power Source Selection

Power source must be DC constant voltage type of power supply. Due to the efficient output in some power supplies are only 80% of total, so please select at least 20% higher output power supply than the consumption of LED lights.

5