

10 Zones RF Single Color LED Dimmer

Model:SR-2802 with SR-2501N series



Feature

- Reliable&stable switch and dimming control function.
- Battery in the remote is with long life span.
- Switch on/off lightings slowly,without any flash,meet the comfort of human eyes.
- Dimming range:0.1-100%
- Use with power repeater to expand the output power unlimitedly.
- Enable to control 10 zones separately,each zone can be set endless receivers,each receiver maximally be controlled by 8 different remotes.
- Enable be dimmed and ON/OFF by push button after connecting receivers.
- Receivers can work with RF-WIFI converter after installing software on ISO and Android system.
- Push dim function

Parameter

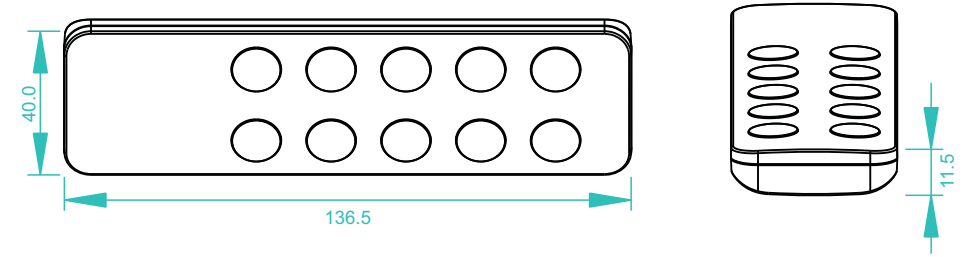
Remote

Item No	Operation Voltage	Operation Frequency	Battery
SR-2802	3VDC	434MHz/868MHz	Cr2025

Correspond Receiver

Part No.	INPUT	CURRENT	OUTPUT	REMARKS
SR-2501N	12-36VDC	4x5A	4x(60-180)W	constant voltage
SR-2501NEA	12-36VDC	4x8A	4x(96-288)W	constant voltage
SR-2502N	12-36VDC	4x0.35A	4x(4.2-12.6)W	constant current
SR-2503N	12-36VDC	4x0.7A	4x(8.4-25.2)W	constant current
SR-2501NS	12-36VDC	1x8A	1x(96-288)W	constant voltage

Product Size



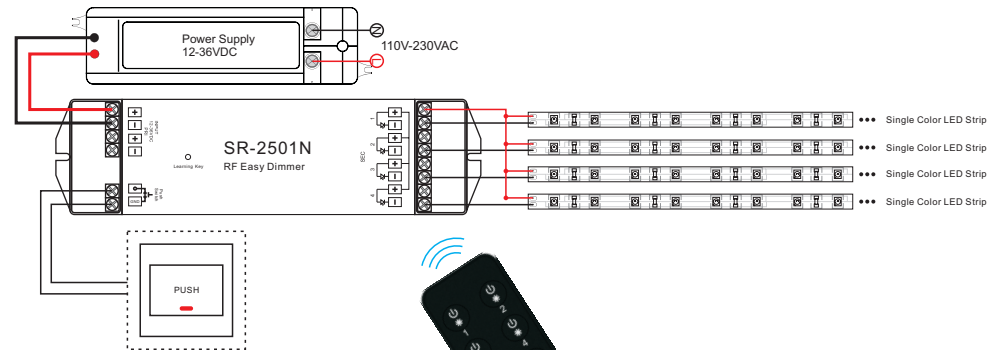
Description of buttons



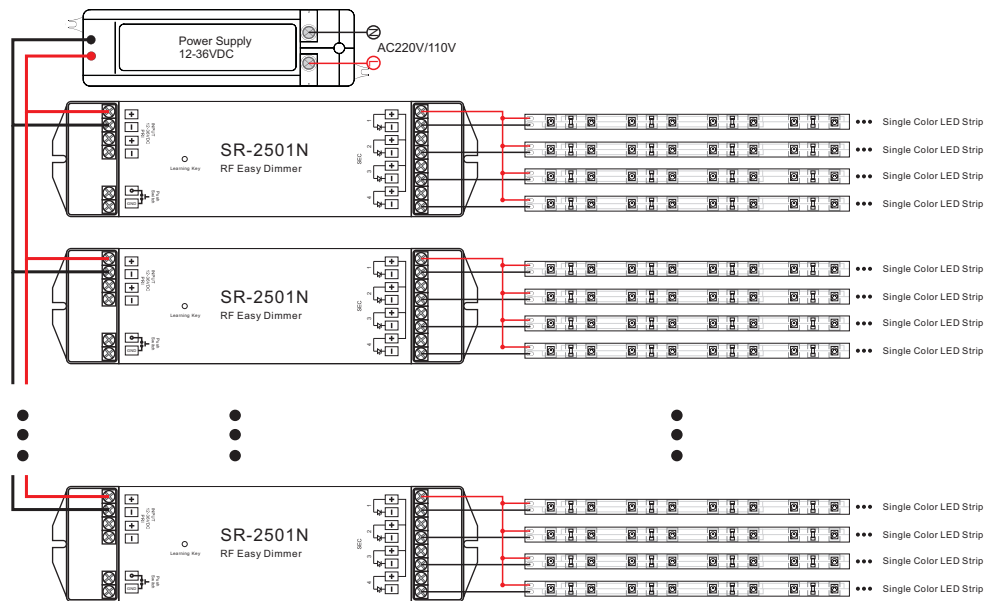
- Short press button to turn on/off, long press to dim
- 10 zone independently control

Wiring diagram

1)Receiver Connection Diagram for Single Unit





2)Receiver Connection Diagram for Multiple Units



Operation

After you have wired all the receivers according to Figure illustration you need to do the following:

1. Pull off the plastic film cover of the battery at the back of remote.
 2. If you use multiple receivers, you have 2 choices:
 - Have all receivers in the same zone like Zone 1 for example or
 - Have each receiver in a different zone, like Zone 1, 2, 3 and so on
 3. In order for each receiver to know what Zone it belongs to, you will need to "pair" it to the zone you wish to use: short press the Learning Key on the receiver, then immediately short press the  from the zone you wish to use. Once you do that, the LED lights will blink once. Now your remote and receiver are paired! Short press  to turn ON/OFF, long press to turn UP/DOWN.
 4. Do the same for the other receivers if you use them.
- This wireless receiver can work in any of the 10 zones. It has a special "Learning Key" that will enable you to pair it to any of the 10 zones in the wireless remote control. You can add as many optional receivers as you wish, to create up to 10 different control zones. Each zone can have an endless number of receivers.

Memory Reset:

In case you want to reset the memory of the receiver, press the learning function button for 10 seconds while the unit is being powered. The unit will then reset to factory defaults.

Re-Assign Zone:

Re assigning the receiver to a different zone is easy, just press for less than 1 second the learning button on the receiver and then press ON/OFF button of the zone that you would like to re-assign the receiver (Zone 1-10).

Safety & Warnings

- 1) The product shall be installed and serviced by a qualified person.
- 2) IP20. Please avoid the sun and rain. When installed outdoors, please ensure it is mounted in a water proof enclosure.
- 3) Always be sure to mount this unit in an area with proper ventilation to avoid overheating.
- 4) Please check if the output voltage of any LED power supplies used comply with the working voltage of the product.
- 5) Never connect any cables while power is on and always assure correct connections to avoid short circuits before switching on.
- 6) Please ensure that the cable is secured tightly in the connector
- 7) For update information please consult your supplier.

Warranty Agreement

- 1) We provide lifelong technical assistance with this product:
 - 3-year warranty. We print date on every products, for example :1125 means year 2011, week 25. The warranty is for free repair or replacement and covers manufacturing faults only.
 - For faults beyond the 3-year warranty we reserve the right to charge for time and parts.
- 2) Limited Warranty
 - Any defects caused by wrong operation.
 - Any damages caused by unauthorized removal, maintenance, modifying, incorrect connection and replacement of chips.
 - Any damages due to transportation, vibration etc. after purchase.
 - Any damages caused by earthquake, fire, lightning, pollution and abnormal voltage.
 - Any damages caused by negligence, inappropriate storing at high temperatures and humidity or near harmful chemicals.
 - Product has been updated
- 3) Repair or replacement as provided under this warranty is the exclusive remedy to the customer.