



LAST  
40,000HRS



2 YEAR  
WARRANTY



# PRODUCT SPECIFICATION

PRODUCT NAME: LED DOWNLIGHT

PRODUCT MODEL: UP – CL44 (1\*10W)



## LED DOWNLIGHT

ø90\*80mm 1\*10W 560 lm

AC110/220V 36/60deg.beam.

Dimming range 0~100% no flicker.

80% lumen maintenance at 40000 hours.

2 years warranty under the normal working time



LAST 40,000HRS



2 YEAR WARRANTY



## CL44

## Technical Details



Warm 3000K



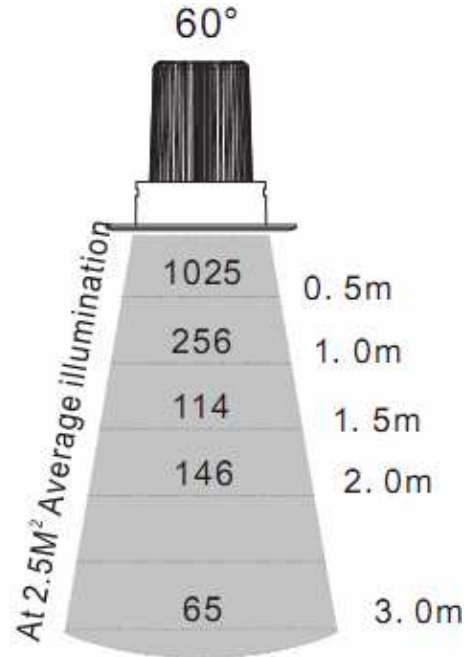
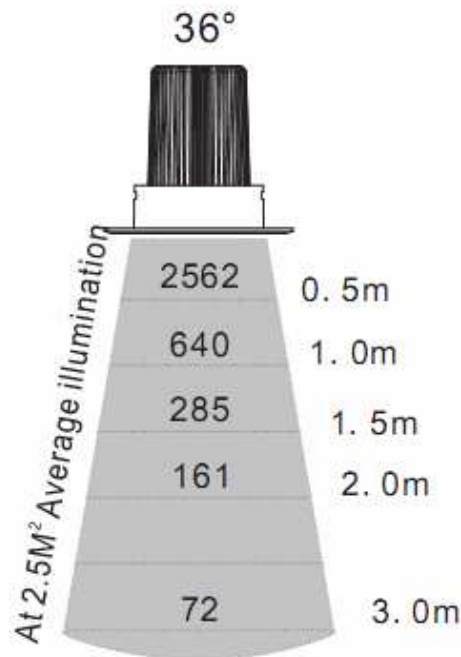
AC110/220V



1\*10W



509 lm



## CL44

## Technical Details



Cool 5500K



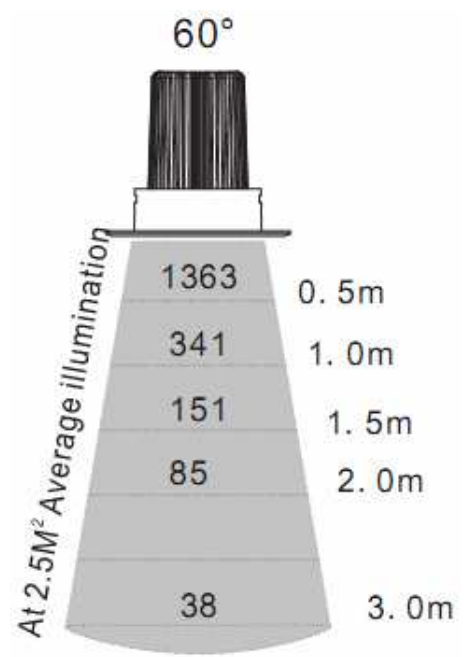
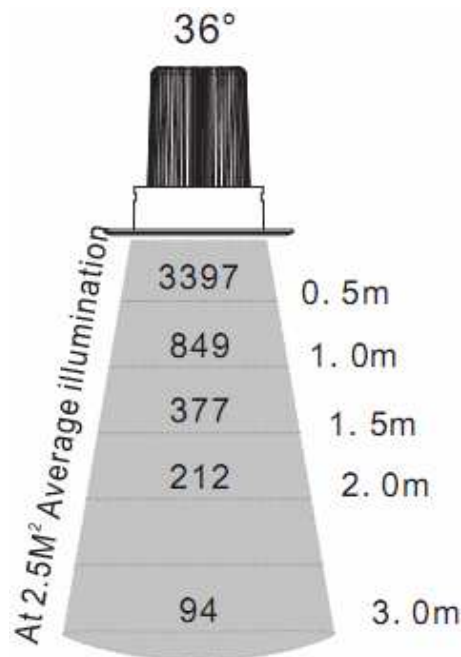
AC110/220V



1\*10W



560 lm





LAST  
40,000HRS



2 YEAR  
WARRANTY



## LED down light features

### COB LED

1pcs 10W Sharp COB LED chip ,high lumen output .

### Built-in reflector and frosted glass

Built-in reflector, good uniformity of luminance  
Clear glass : anti-dust ,anti-fog ,anti-glare ,  
Similar light emitting to Halogen downlight .  
60 degree beam angle .

### Same cut out size as halogen downlight

Light size : Ø90\*80mm  
Hole size :cutout 70-80mm

### External driver

Safe version isolating driver  
Stable performance ,high quality IC in the driver  
Long life span  
CE,ROHS,SAA approved .

### Dimmable is available :

All triac dimmers are useful ,fox example  
Clipsal leading edge dimmer ,full dimming  
range,no flicker.

### Perfect beam angle 36° /60°

### UV , Mercury free

-unlike halogen bulb,LED spotlight is free from  
UV light and Mercury . It is more safer for  
ourselves and environment

### Easy Installation

Female and male connector  
Double insulation AC cable or plug .



LAST  
40,000HRS

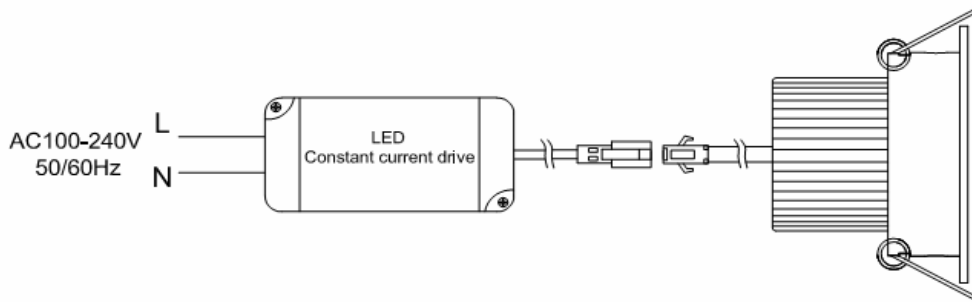


2 YEAR WARRANTY

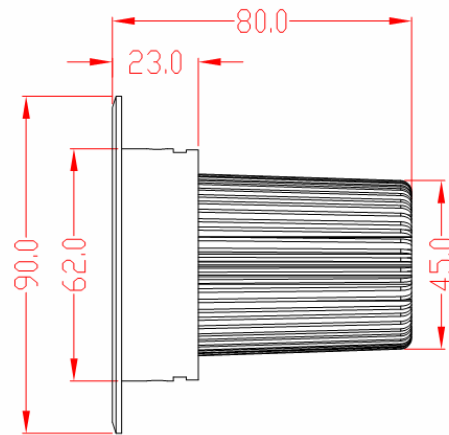
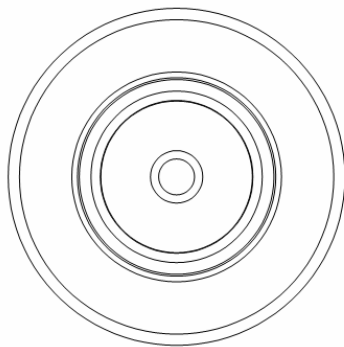


## CL44 Fully Preassembled

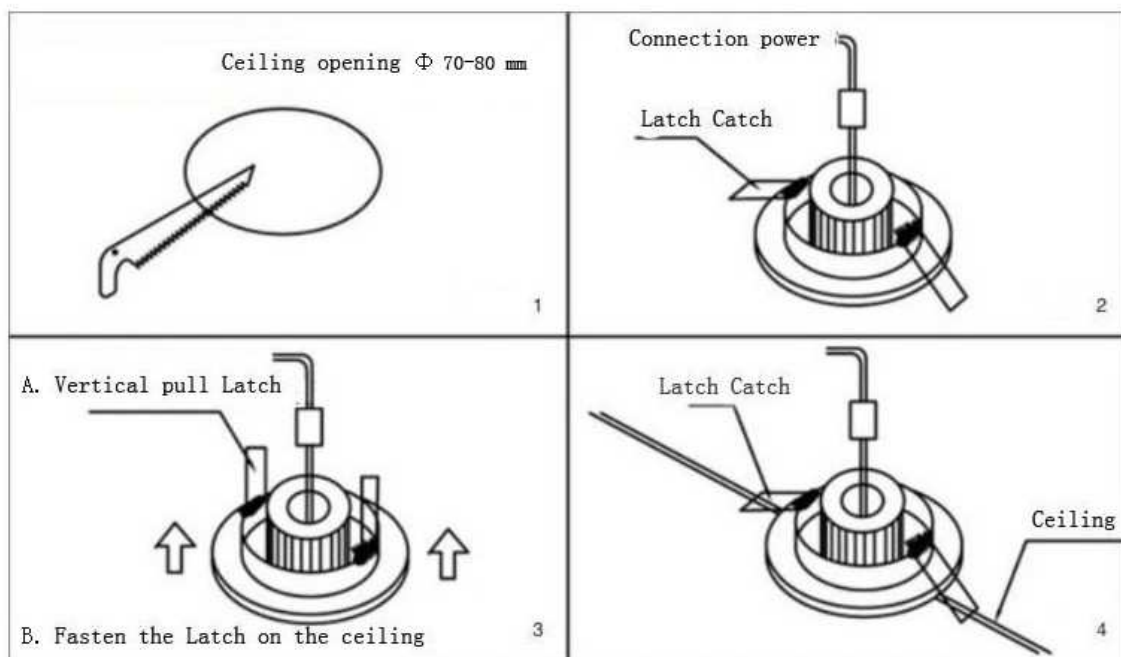
TO REDUCE INSTALL TIME CL44 COME FULLY PREASSEMBLED AS SHOWN IN THE DIAGRAM BELOW



## Product Dimension: (Unit: mm)



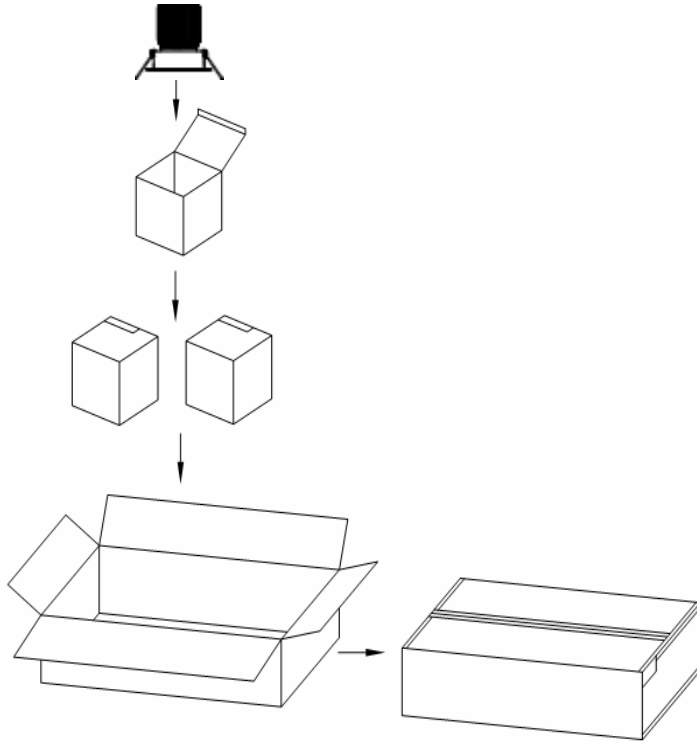
## Installation Diagram:





# Packing:

Box dimension: 102mm(L) x102mm(W) x120mm(H)



## Packing Notice

- 1:Qty/ctn:24pcs
- 2:Gross Weight: 10.3Kg
- 3:Size of carton:  
445x335x265mm
- 4: Handle with care

\*\*\*\*\* END \*\*\*\*\*



**UP-SHINE LIGHTING CO.,LTD.**

Tel: +86-0755-29197332

Fax:+86-0755-29197301

Web: [www.upshineled.com](http://www.upshineled.com)

Add: 7th floor C1 building Guang Hao Feng Industrial Park Xi xiang town, Baoan District Shenzhen City, P.R China.

APPROVED BY:

