

LT-3200-350/ LT-3200-700

LED Intelligent Dimmer

Constant Current Dimmer

USER INSTRUCTIONS



(Please kindly read through instructions before use)

Forward

Thanks for choosing our LT-3200 Controller. Before installation and use, we strongly recommend you to read through this manual carefully. If device has been damaged during transport, please report it to your supplier immediately. Please don't take any action without contacting your supplier first.

After-sales Service

From the day you purchase our products within a year, if being used properly in accordance with the instruction, and quality problems occur, we provide free repair or replacement services except the following cases:

1. Any defects caused by wrong operations..
2. Any damages caused by unauthorized removal, maintenance, modifying circuit, incorrect connections and replacing chips.
3. Any damages due to transportation, vibration etc after the purchase.
4. Any damages caused by earthquake, fire, lightning strike, pollution and abnormal voltage.
5. Any damages caused by negligence, inappropriate storing at high temperature and humidity environment or near harmful chemicals.
6. Product has been updated

Safety Warnings

1. Please don't install this controller in lightening, intense magnetic and high-voltage fields.
 2. To reduce the risk of component damage and fire caused by short circuit, make sure correct connection
 3. Always be sure to mount this unit in an area that will allow proper ventilation to ensure a fitting temperature.
 4. Check if the voltage and power adapter suit the controller & if anode or cathode definition is the same as the controller's.
 5. Don't connect cables with power on, make sure a correct connection and no short circuit checked with instrument before power on.
 6. Please don't attempt any repairs yourself; doing so will void your manufactures warranty.
- For update information, kindly please consult with your supplier.

Product Brief

LT-3200 is an intelligent dimmer dedicated to adjust the brightness of LED light, adopted the most advanced PWM (Pulse-Width Modulation) digital brightness-adjusting technology at present, users can either turn around the knob manually or use the IR wireless remote control panel to control the brightness infinitely; Suitable for installation of commercial and household 86-style socket; can install the socket visibly outside the wall or inside the wall invisibly; can adjust the brightness of both low-power and hi-power LED illumination lights, can meet different brightness requirements at different time, and extend life tenure of LED, so energy-saving.

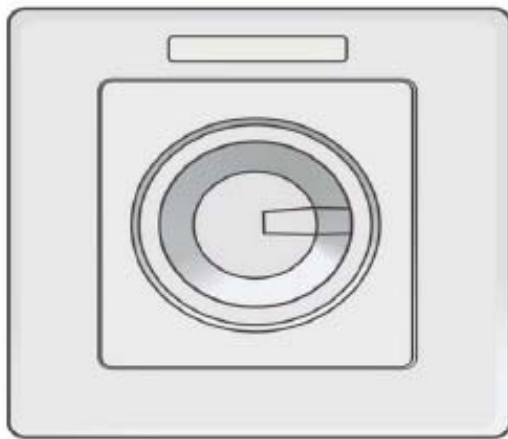
I . Technical Specification

Model:	LT-3200-350 LT-3200-700
Input power	DC12V~DC36V
Output signal	Single channel constant current PWM
Output current	LT-3200-350: Constant current 350mA LT-3200-700: Constant current 700mA
Driving LED quantity	LT-3200-350: 1~10pcs hi-power 1WLED LT-3200-700: 1~10pcs hi-power 3WLED
Grey scale	256 levels
Switch size	L87×W87(mm)
IR Remote size	L86×W33(mm)
Package size	L96×W91×H61(mm)
Weigh(gross weigh)	200g

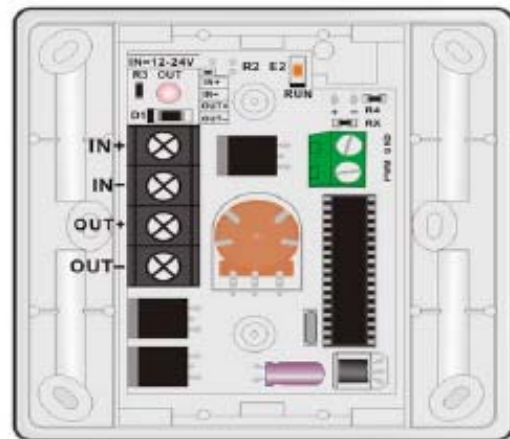
II . Features

1. 0~100% brightness adjust, infinite knob style dimming+ wireless IR remote dimming, easy to operate;
2. 256 levels grey scale, soft and smoothly, without strobe phenomenon;
3. PWM digital dimming+ programs without current surge, longest life tenure of LED;
4. 25%、50%、75%、100% 4 DIY modes, fast adjust;
5. 4 DIY modes, with Fluorescent Indicator & delay off button, users friendly;
6. When load of constant current/voltage is beyond, add extra repeater to expand power;
7. Several different options, convenient to control LED illumination with a different circuit;

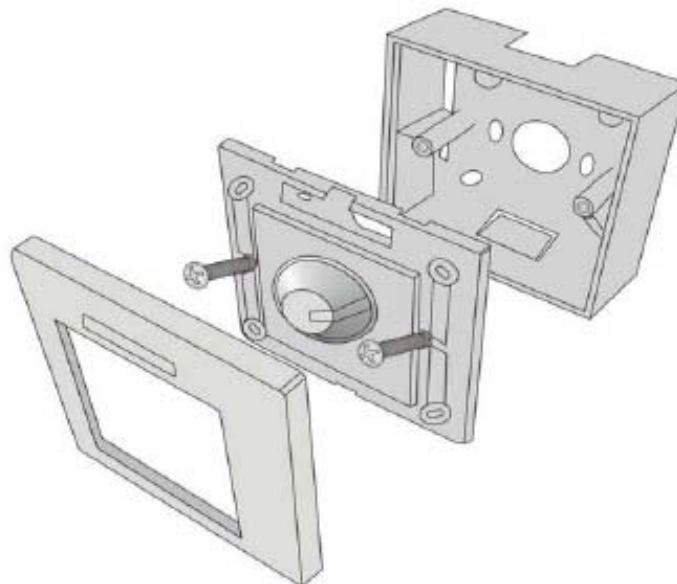
III. Construction drawing



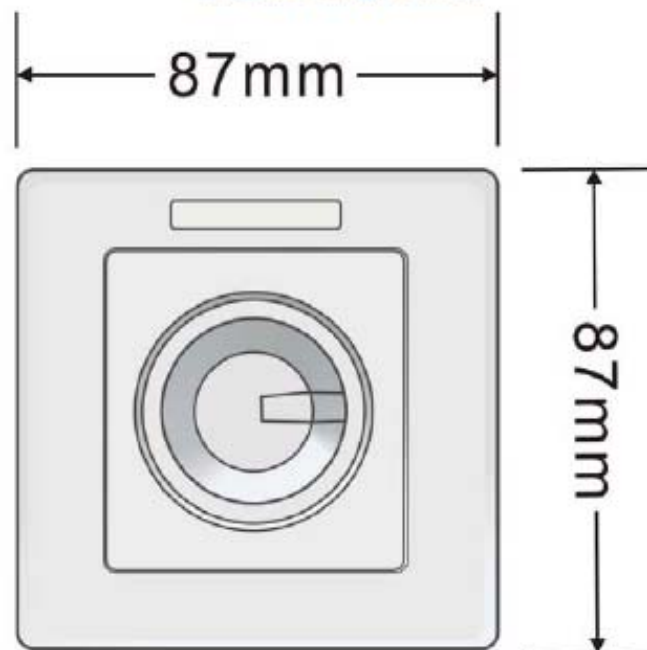
Front view



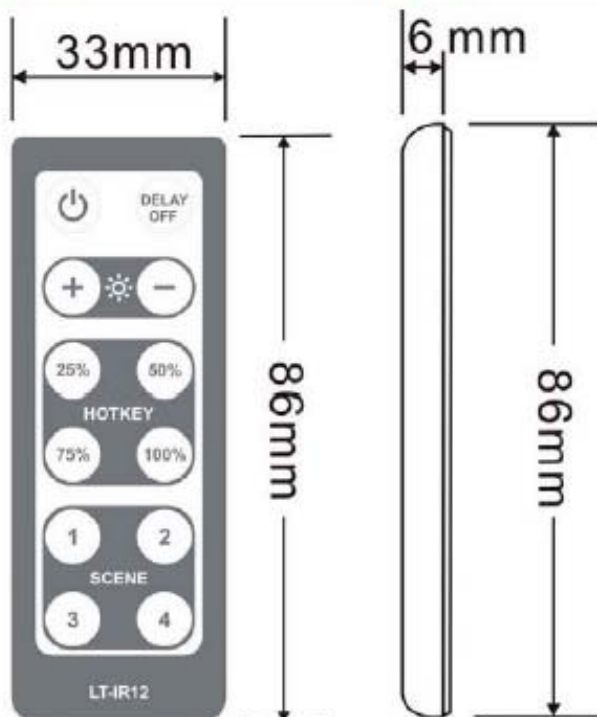
Back view



Major configuration



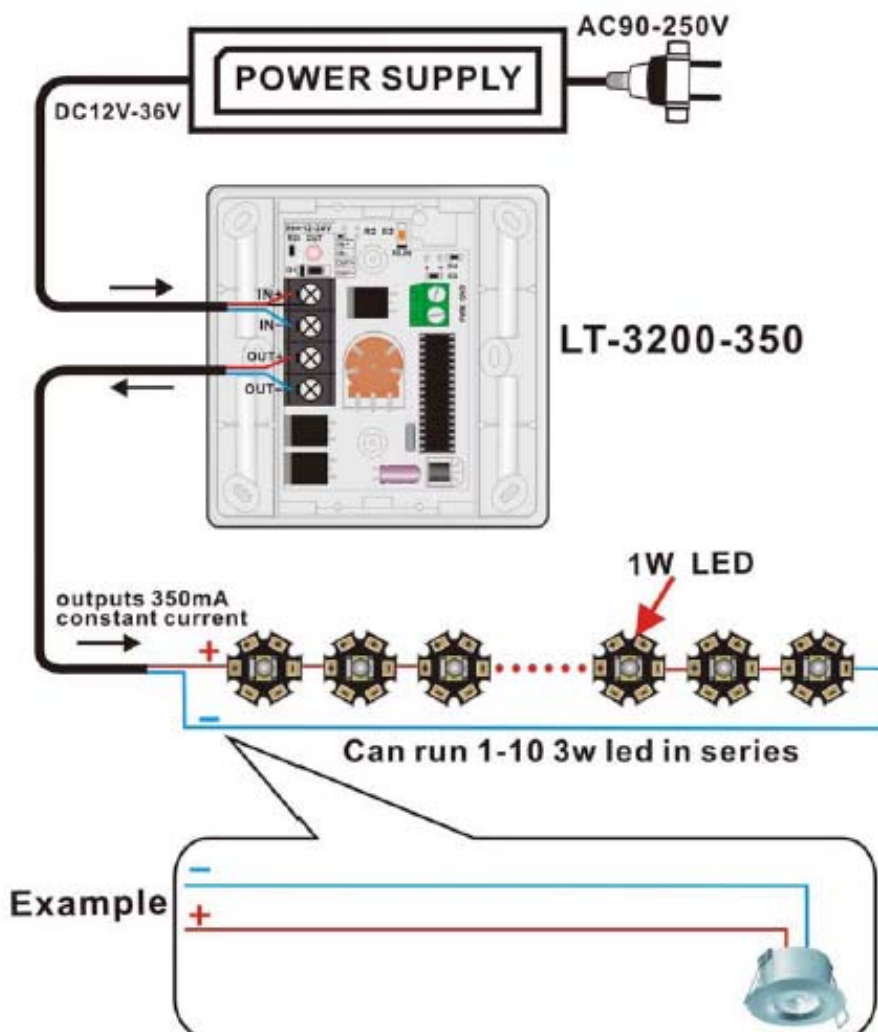
Dimmer size



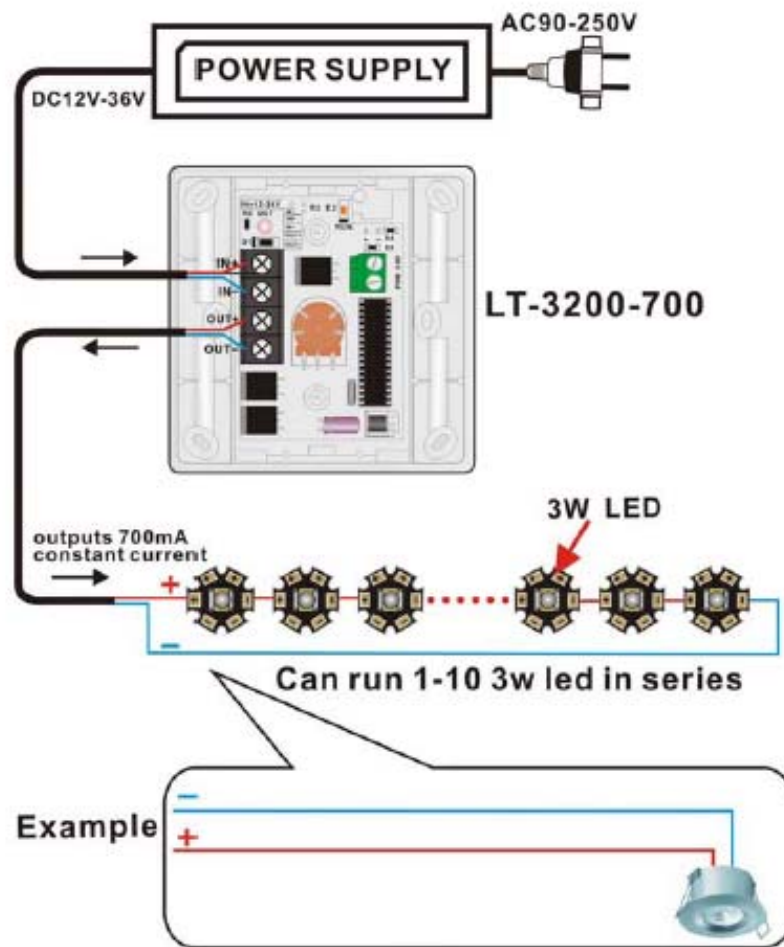
IR remote size

IV. Connection Diagram

1. LT-3200-350 connects 1W hi-power LED

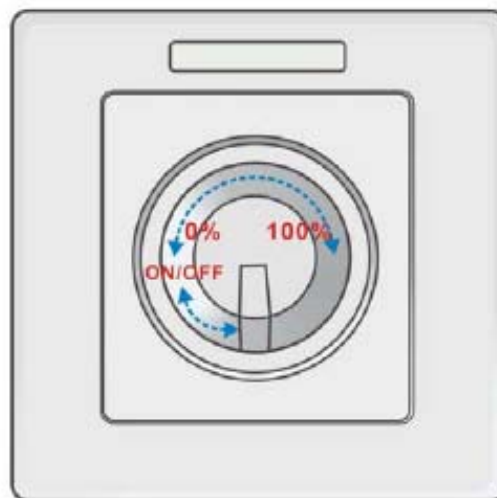


2. LT-3200-700 connects 3W hi-power LED



V. Operation instructions

1. Button Definition



Dimmer knob instruction



[IR Remote instruction](#)

2. Detailed functions of IR Remote Button

Signal	Button	Description
	ON /OFF	on/off key: start or turn off the LED lamp At the off statue, press any key to start the LED lamp
	OELAY OFF	Delay off button: Press this button, LED light will delay 30seconds to be off by itself
	BRT+ BRT-	Mode+ key / -key: Press this two buttons to increase and decrease LED brightness, total 256 levels of brightness, can change brightness continuously by holding on the button.
	HOTKEY	Brightness keyboard shortcuts: Can select different brightness you want directly and immediately by Pressing these 4 shortcuts.
	SCENE	DIY mode button: total four keys, press any key over 3 seconds until the indicator flicks several times, it means the current brightness was recorded to this button, later you can enter this mode by just pressing once.

VI. Exception Handles

Malfunction	Causation	Settle
No light	1.No power from power supply 2. reverse connection of power +/- 3. Wrong or loose connection	1 .Check the power supply 2. Modify the connection 3. Check connection
Brightness of the LED is not even	1.Output wire too long, voltage drops 2. Wire diameter too slim, voltage drops. 3. power supplier overloads 4. controller overload	1. Reduce cable or use daisy-chain power 2.Calculate the current, and change a wider wire 3. Change another large hi-power supplier 4. Add power repeater



Kind remind:

1. Power Supply Selection:

Please select constant voltage switching DC power supply;

2. Power Calculation:

The effective power of the power supply in market is 80%, so users should select a bigger Watt than the actual load of LED light, at least 20% more;

Total Power =350mA(700mA)*the total voltage of LED in series;

3. Voltage selection of Power Supply:

Voltage range: DC12-36V, the selected voltage should be higher than that of the total LED, e.g.: the voltage of an LED is 3.6V, 3 pieces LED is 3.6*3=10.8, then 12V power supply is OK, if 6 pieces LED, then 24V is OK, but if you choose 36V is also OK, the circuit in the dimmer ensures exact voltage & current to the LED, no influence on LED itself.