

RF Naked Wall Mounted Remote

SR-2805NF



Feature

- Reliable & stable switch and dimming control function, control range 20M.
- Adjustment, match most walls mounted frame in the market.
- Switch on/off of lightings slowly, without any flash, meet the comfort of human eyes.
- Dimming range 0.1-100%.
- Use with power repeater to expand the output power unlimitedly.
- Enable to control 1 zones separately, each zone can be set endless receivers, each receiver maximally be controlled by 8 different remotes.
- Enable be dimmed and ON/OFF by push button after connecting receivers.
- Receivers can work with RF converter after installing software on IOS and Android system. Can control all SR-2501XX series RF receivers(single color, CCT, RGB)

Parameter

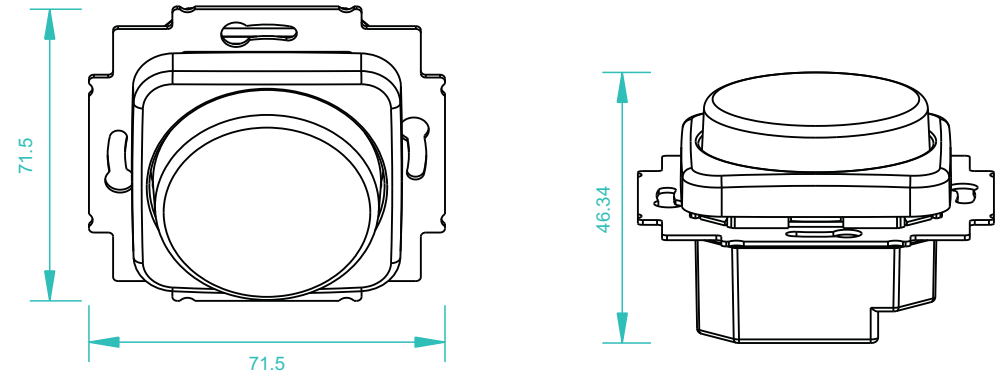
Remote

Part No.	Operation Voltage	Operation Frequency	Remarks
SR-2805NF	3VDC	434MHz/868MHz	RF Wireless

Receiver

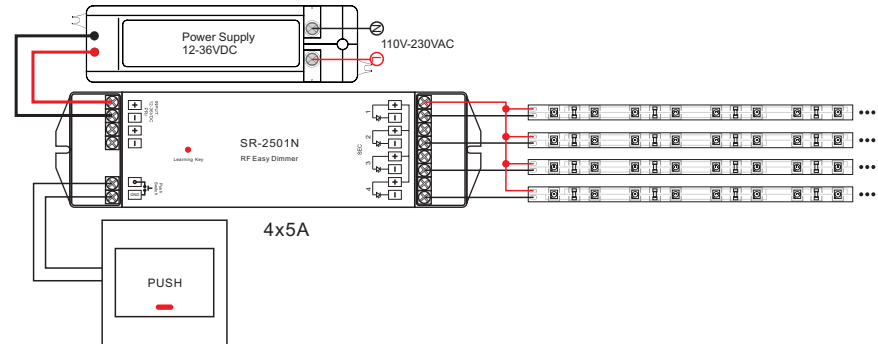
Part No.	Input Voltage	Current	Output	Remarks
SR-2501N	12-36VDC	4x5A	4x(60-180)W	Constant voltage
SR-2501NEA	12-36VDC	4x8A	4x(96-288)W	Constant voltage
SR-2502N	12-36VDC	4x350mA	4x(4.2-12.6)W	Constant current
SR-2503N	12-36VDC	4x700mA	4x(8.4-25.2)W	Constant current
SR-2501NS	12-36VDC	1x8A	1x(96-288)W	Constant voltage
SR-2502NS	12-36VDC	1x350mA	1x(4.2-12.6)W	Constant current
SR-2503NS	12-36VDC	1x700mA	1x(8.4-25.2)W	Constant current

Product Size

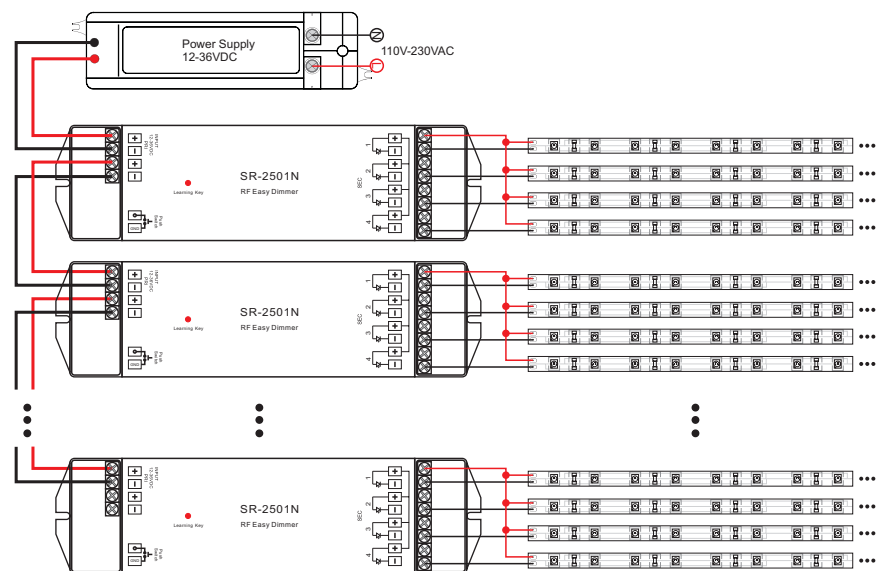


Wiring diagram

1)Receiver Connection Diagram for Single Unit



2)Receiver Connection Diagram for Multiple Units



Operation

Please pair remote and receiver, after finishing connecting receivers with LED lights correctly, base on diagram above.

1) Press shortly the learning Key on the receiver, then push the rotary button. Once successfully learn, the LED lights will blink on the receiver. Do the same for the other receivers if you use them, you can add as many optional receivers as you want.

2) Short push rotary button to switch ON/OFF

Adjust dim brightness by the rotary button from left to right 0.1-100%

Adjust dim brightness by the rotary button from right to left 100-0.1%

Safety & Warnings

1) The product shall be installed and serviced by a qualified person.

2) IP20. Please avoid the sun and rain. When installed outdoors, please ensure it is mounted in a water proof enclosure.

3) Always be sure to mount this unit in an area with proper ventilation to avoid overheating.

4) Please check if the output voltage of any LED power supplies used comply with the working voltage of the product.

5) Never connect any cables while power is on and always assure correct connections to avoid short circuits before switching on.

6) Please ensure that the cable is secured tightly in the connector

7) For update information please consult your supplier.

Warranty Agreement

1) We provide lifelong technical assistance with this product:

- 3-year warranty. We print date on every products, for example : 1125 means year 2011, week 25. The warranty is for free repair or replacement and covers manufacturing faults only.

- For faults beyond the 3-year warranty we reserve the right to charge for time and parts.

2) Limited Warranty

- Any defects caused by wrong operation.

- Any damages caused by unauthorized removal, maintenance, modifying, incorrect connection and replacement of chips.

- Any damages due to transportation, vibration etc. after purchase.

- Any damages caused by earthquake, fire, lightning, pollution and abnormal voltage.

- Any damages caused by negligence, inappropriate storing at high temperatures and humidity or near harmful chemicals.

- Product has been updated

3) Repair or replacement as provided under this warranty is the exclusive remedy to the customer.