

# Wall mounted RGB/W DMX512 controller

SR-2812



### Feature

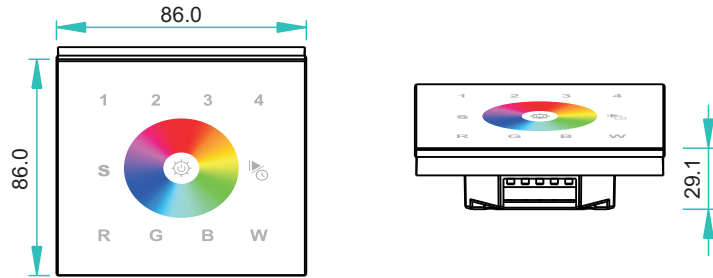
- Touch sensitive
- Glass interface(White & Black)
- Control 4 zones synchronously and separately
- Save up to 4 color in each zone



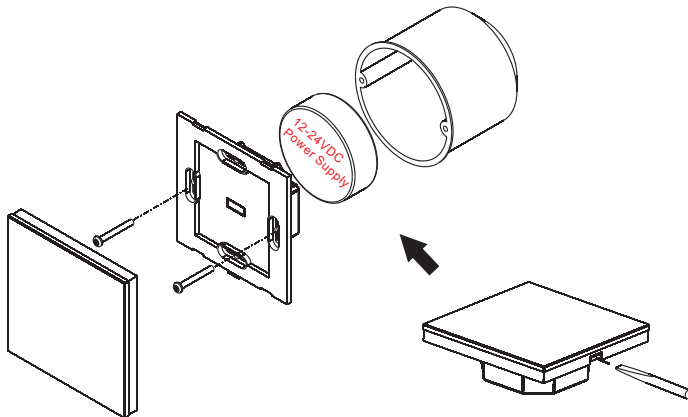
### Parameter

Part No.	Operation Voltage	OUTPUT	DIMENSIONS ø/h (mm)
SR-2812	12-24VDC	434MHz/868MHz	86x86x29.1

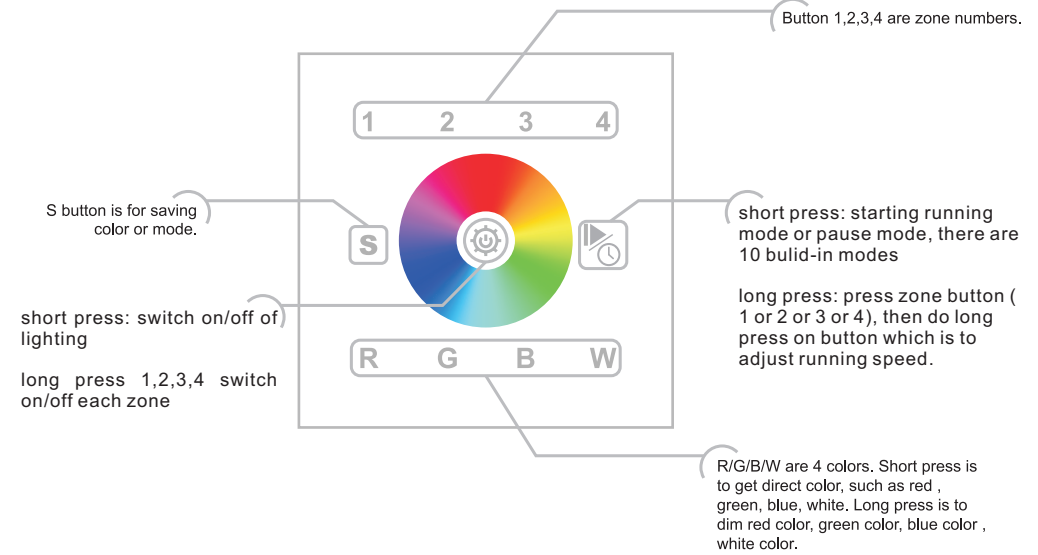
### Product Size



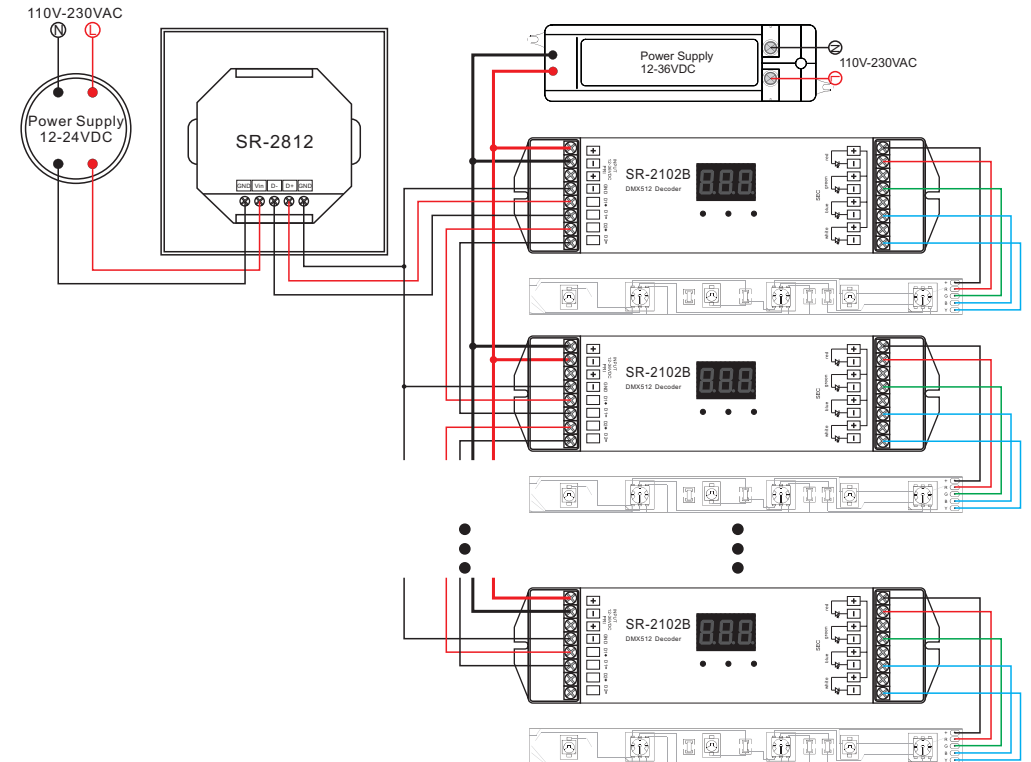
### Installation



### Button introduction



### Wiring diagram



## Operation

### a. how to operate zone button

Each zone will get 4 addresses. Such as button one is address from 1-4, then button 2 is 5-8. Button 3 is 9-12, button 4 is 13-16. There are total 16 addresses.

Zone 1 address is from 1 - 4. Address .Zone 2 address is from 5 - 8.  
Zone 3 address is from 9 - 12. Zone 4 address is from 13 - 16.

Take zone 1 as an example, address 1 indicates the channel of "R" (red); address 2 indicates the channel of "G" (green); address 3 indicates the channel of "B" (blue); address 4 indicates the channel of "W" (white / yellow / any color). So do the address from zone 2,3,4(address:5-8, 9-12, 13-16).


We control DMX controllers of each zone by different DMX address.


**Note:** the address of zone 1 is fixed from 1-4; the address of zone 2 is fixed from 5-8; the address of zone 3 is fixed from 9-12; the address of zone 4 is fixed from 13-16. So we only can change the address of DMX decoder, then corresponding zone can control DMX decoder separately or synchronously.

### b. how to save color or mode

**S** Button can save the color from mode or save color when you touch color wheel.

In "S" button, it saved "R/ G/ B" 3 colors in default. But with your operation, each zone you can save another 4 colors/modes replace those R/G/B colors.

Press any zone button----> press  button, mode runs, see favorite mode---> press "S" button over 3 seconds until indicator in touch panel turns into pink and the led light blink, Then it saved successfully.

Press any zone button----> touch  color wheel, see favorite color---> press "S" button over 3 seconds until indicator in touch panel turns into pink and the led light blink, Then it saved successfully.

Recall the color and mode you saved: choose zone number----> short press S

## Safety & Warnings

- 1) The product shall be installed and serviced by a qualified person.
- 2) IP20. Please avoid the sun and rain. When installed outdoors, please ensure it is mounted in a water proof enclosure.
- 3) Always be sure to mount this unit in an area with proper ventilation to avoid overheating.
- 4) Please check if the output voltage of any LED power supplies used comply with the working voltage of the product.
- 5) Never connect any cables while power is on and always assure correct connections to avoid short circuits before switching on.
- 6) Please ensure that the cable is secured tightly in the connector
- 7) For update information please consult your supplier.

## Warranty Agreement

1) We provide lifelong technical assistance with this product:

- 3-year warranty. We print date on every products, for example : 1125 means year 2011, week 25. The warranty is for free repair or replacement and covers manufacturing faults only.

- For faults beyond the 3-year warranty we reserve the right to charge for time and parts.

2) Limited Warranty

- Any defects caused by wrong operation.

- Any damages caused by unauthorized removal, maintenance, modifying, incorrect connection and replacement of chips.

- Any damages due to transportation, vibration etc. after purchase.

- Any damages caused by earthquake, fire, lightning, pollution and abnormal voltage.

- Any damages caused by negligence, inappropriate storing at high temperatures and humidity or near harmful chemicals.

- Product has been updated

3) Repair or replacement as provided under this warranty is the exclusive remedy to the customer.