

# Wall mounted RGB/W DMX512 controller

SR-2812Wi



### Feature

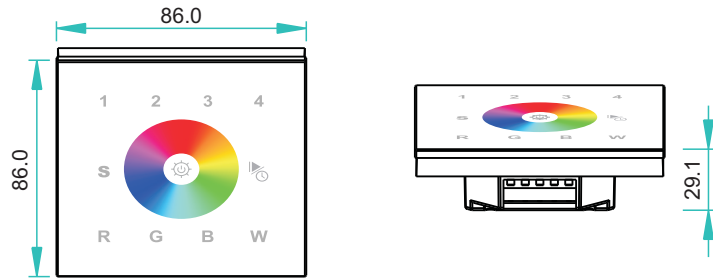
- Touch sensitive
- Glass interface(White & Black)
- Control 4 zones synchronously and separately
- Save up to 4 color in each zone



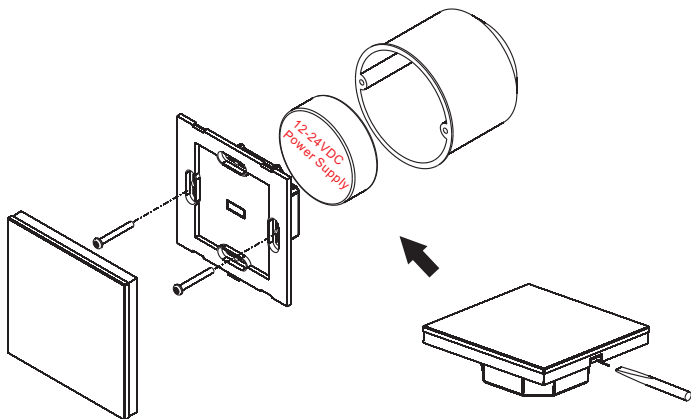
### Parameter

Part No.	Operation Voltage	OUTPUT	DIMENSIONS ø/h (mm)
SR-2812Wi	12-24VDC	DMX512 Signal	86x86x29.1

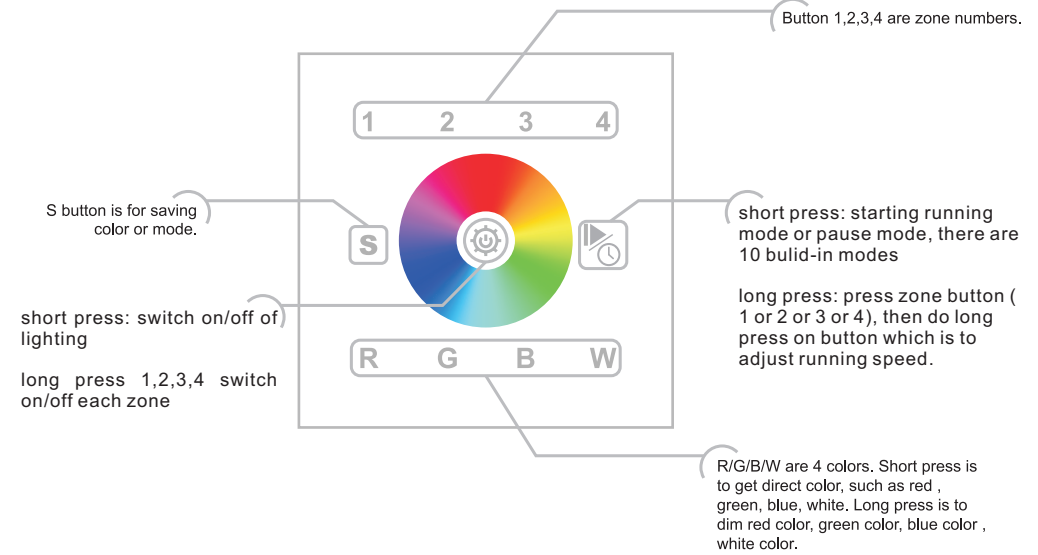
### Product Size



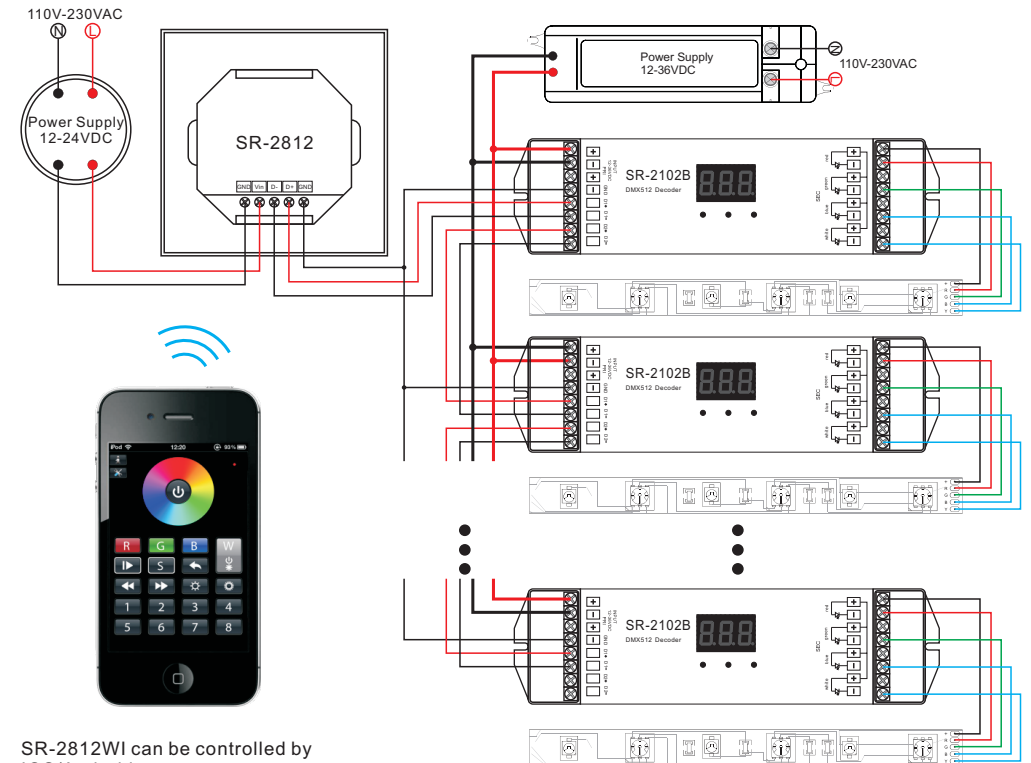
### Installation



### Button introduction



### Wiring diagram



SR-2812Wi can be controlled by IOS/Android system

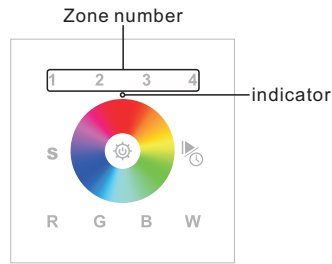
## Operation

### a. how to operate zone button

After connect well with DMX decoders, please set the DMX decoders address as below:

- DMX decoder's address 001 is controlled by Zone 1
- DMX decoder's address 005 is controlled by Zone 2
- DMX decoder's address 009 is controlled by Zone 3
- DMX decoder's address 013 is controlled by Zone 4

short press zone number is to choose a zone, long press zone number is turn on/off that zone individually



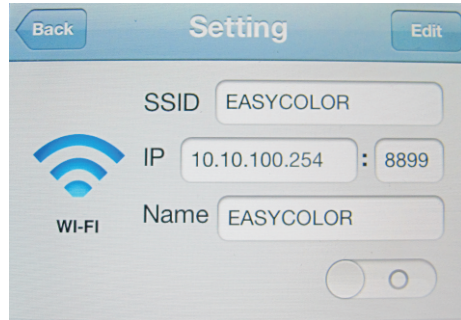
### b. how to save color or mode

choose a zone(for example zone1) to do the control, if you like a color or playing mode, long press S button, until the indicator turns pink color , then touch any one of the number 1~4(for example 2), the led will flash means saved. by this way each zone can save 4 colors or modes.,


How to get that saved color or mode :short press zone number---->short press S, then short press the number you saved (for example 2 )


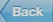
## Wifi to DMX function

### IOS or android system connection to the SR-2812Wi



a.Download app to phone. Open wifi connection setting interface,connect your phone to EASYCOLOR or Realcolor network.

b.Open EASYCOLOR installed on the phone , press  to the setting interface, and enter the following:  
SSID: EASYCOLOR  
IP: 10.10.100.254 8899  
Name:  (the name you want or don't enter anything.)

c.Press button  to turn it on ,and press button  to back to the main operation interface.

### the app is 8 zone control, so you may set more zones for the WiFi control as below:

- DMX decoder's address 001 is controlled by Zone 1
- DMX decoder's address 005 is controlled by Zone 2
- DMX decoder's address 009 is controlled by Zone 3
- DMX decoder's address 013 is controlled by Zone 4
- DMX decoder's address 017 is controlled by Zone 5
- DMX decoder's address 021 is controlled by Zone 6
- DMX decoder's address 025 is controlled by Zone 7
- DMX decoder's address 029 is controlled by Zone 8

## Safety & Warnings

- 1) The product shall be installed and serviced by a qualified person.
- 2) IP20.Please avoid the sun and rain. When installed outdoors, please ensure it is mounted in a water proof enclosure.
- 3) Always be sure to mount this unit in an area with proper ventilation to avoid overheating.
- 4) Please check if the output voltage of any LED power supplies used comply with the working voltage of the product.
- 5) Never connect any cables while power is on and always assure correct connections to avoid short circuits before switching on.
- 6) Please ensure that the cable is secured tightly in the connector
- 7) For update information please consult your supplier.

## Warranty Agreement

1) We provide lifelong technical assistance with this product:

- 3-year warranty. We print date on every products, for example :1125 means year 2011, week 25.The warranty is for free repair or replacement and covers manufacturing faults only.

- For faults beyond the 3-year warranty we reserve the right to charge for time and parts.

2) Limited Warranty

- Any defects caused by wrong operation.

- Any damages caused by unauthorized removal, maintenance, modifying, incorrect connection and replacement of chips.

- Any damages due to transportation, vibration etc. after purchase.

- Any damages caused by earthquake, fire, lightning, pollution and abnormal voltage.

- Any damages caused by negligence, inappropriate storing at high temperatures and humidity or near harmful chemicals.

- Product has been updated

3) Repair or replacement as provided under this warranty is the exclusive remedy to the customer.