

## Product Sepcification

**\*Product Name: Remote Dimmer(12VDC/24VDC)**

**\*Item No: SW-DM1-R SW-DM1-R3**



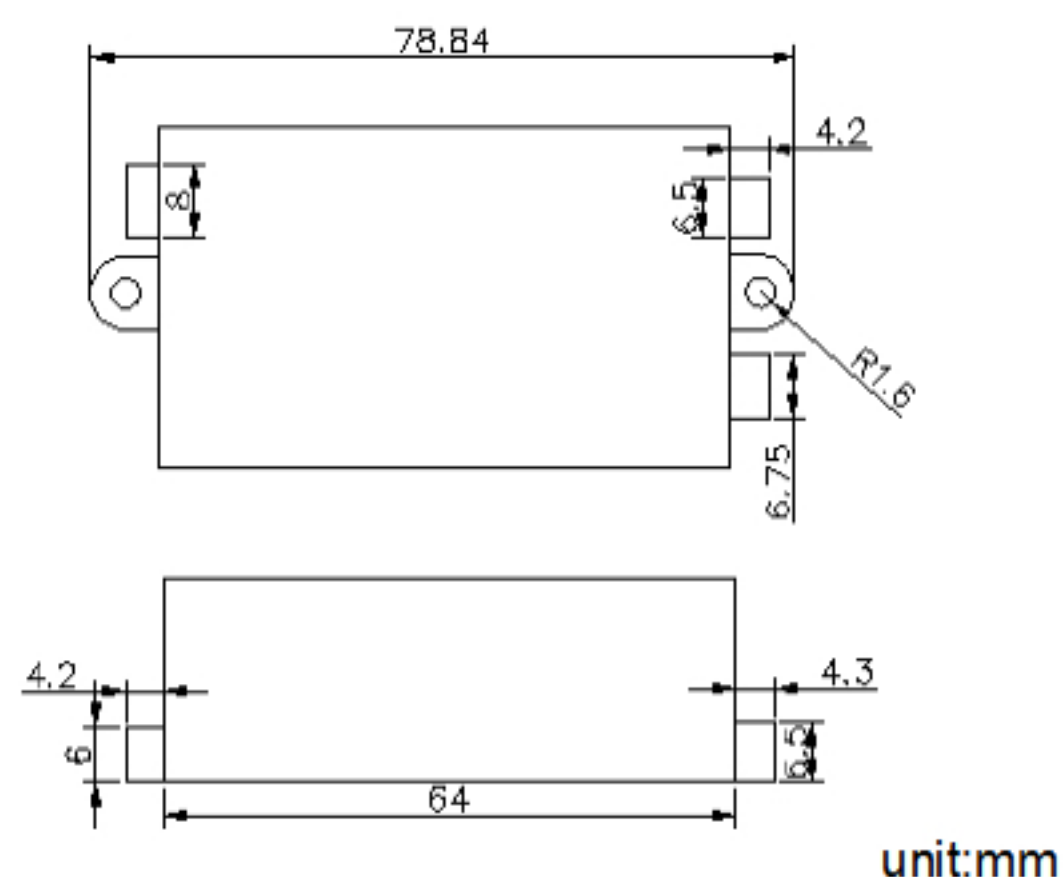
### \*Summarization

RF dimmer is a controller that can adjust brightness infinitely, its control mode is wireless control, you could adjust light to the appropriate lighting brightness in accordance with your actual need.

### \*Technical Parameters

- working temperature: -20-60 °C
- supply voltage: DC5V, 12V , 24V < optional > ( supply voltage should be marked on order )
- output: 1 channel
- net weight: 100g
- gross weight: 130g
- external dimension: L110 X W56 X H34 mm
- packing size: L122 X W85 X H42mm
- rated load current: <8A
- output power: 5V<40W,12V<96W,24V<192W

### \*Dimension Drawing



## Product Sepsification

### \* Interface specifications:

input interface:



Load output interface:



### \* Direction for use

1. Connect the load wire at first, following by the power wire; Please ensure short circuit can not occur between connecting wire before you turn on the power;
2. Adopt wireless control, its function as follows:
  - △key is for increasing brightness,
  - ▽key is for reducing brightness.

### \* Typical Applications

